

## Features

- Universal Input 90~264V AC
- Direct UK Fixed Plugtop Adapters
- Approved to CE, RoHS
- Safety standards to EN 60950
- Single Output 12V DC
- OVP, OCP, OTP, SCP



Ideal Power's 15DYS605-xyW-5 6W AC/DC External Adapter UK Plugtop Power Supply (PSU) Series are certified to CE, RoHS & EN 60950 Standards and comply with (EU) 2019/1782, Level VI Efficiency Regulations. These are primarily used in ITE, Audio & Video Industries and customised solutions are available upon request.

### Models

Model Number	Output Voltage	Output Current	Output Power	Efficiency
15DYS605-120050W-5	12V DC	0.5A	6W	78.88%

### Input Data

	Min	Typical	Max	Units	Notes
Input Voltage	90	--	264	V AC	100-240VAC +/- 10%
Input Frequency	50	--	60	Hz	
Input Current	--	0.2	--	A	
Inrush Current	--	50	--	A	
Leakage Current	--	--	0.25	mA	

### Output Data

	Min	Typical	Max	Units	Notes
Output Current Range	0.0	--	0.5	A	
Output Voltage Range	11.4	--	12.6	V	
Ripple & Noise	--	--	150	mVpp	
Over Current Protection	Typically, 115-135% of Rated Current				
Short Circuit Protection	Continuous short circuit proof. Will recover if fault condition is removed				
Over Voltage Protection	Will recover if fault condition is removed				

### Environmental Data

	Min	Typical	Max	Units	Notes
Operating Temperature	0	--	+40	°C	
Storage Temperature	-20	--	+80	°C	
Operating Humidity	10	--	90	%	non condensing
Relative Humidity	5	--	95	%	non condensing

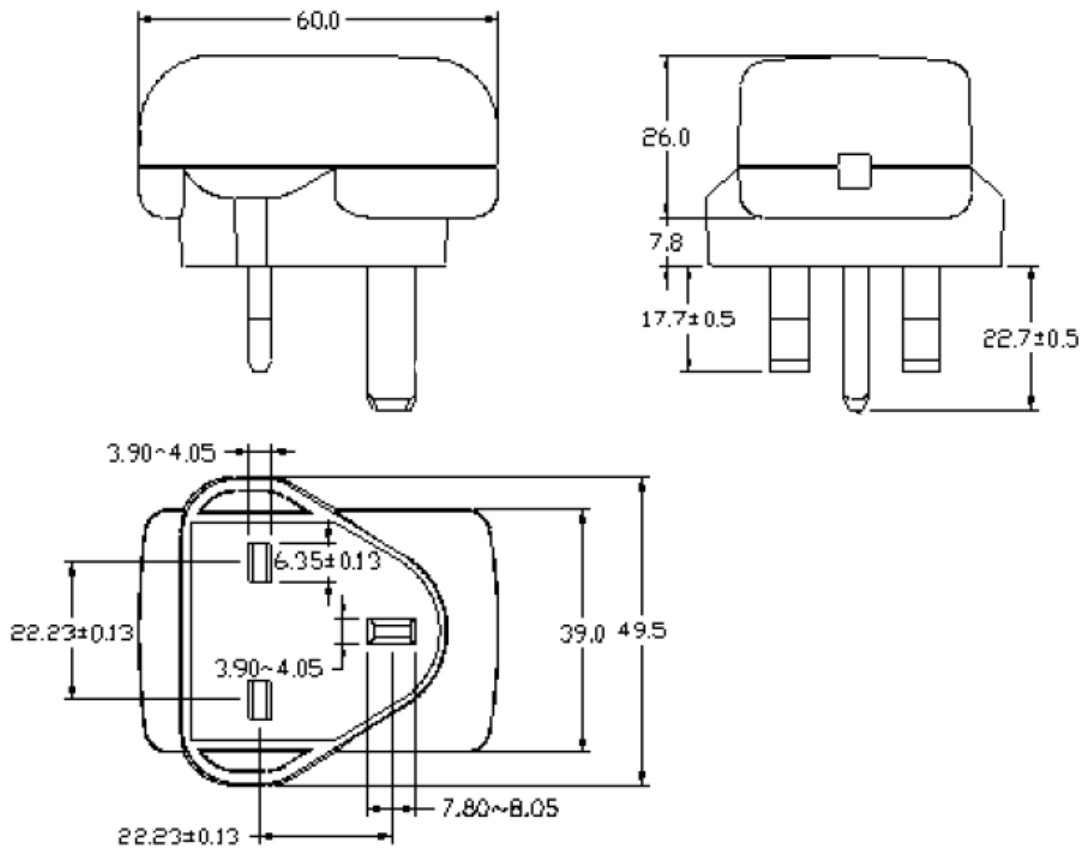
### Other Information

	Notes
Dielectric Strength	Input to Output Terminal: 4242Vdc 3Sec 5mA. Input to Case: 4242Vdc 3Sec ≤5mA.
MTBF	25,000 hrs at 25°C
Weight	78g
Dimensions	60 x 49.5 x 56.5mm
Output Cord	DCD1290,24AWGUL2468,1.5MBlack
Output Connector	Output Connector: Lead O/P~OD: 2.1mm, ID: 5.5m,Length:12.0mm (H).

### Safety Approvals

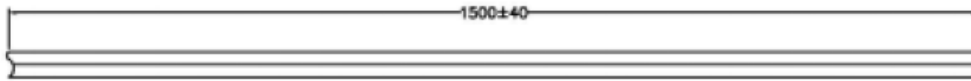
	Safety Standards
Safety Standards	EN 60950
Approvals	CE, RoHS

Mechanical Drawing



**Cord Drawing**

Semi-finished products wire:

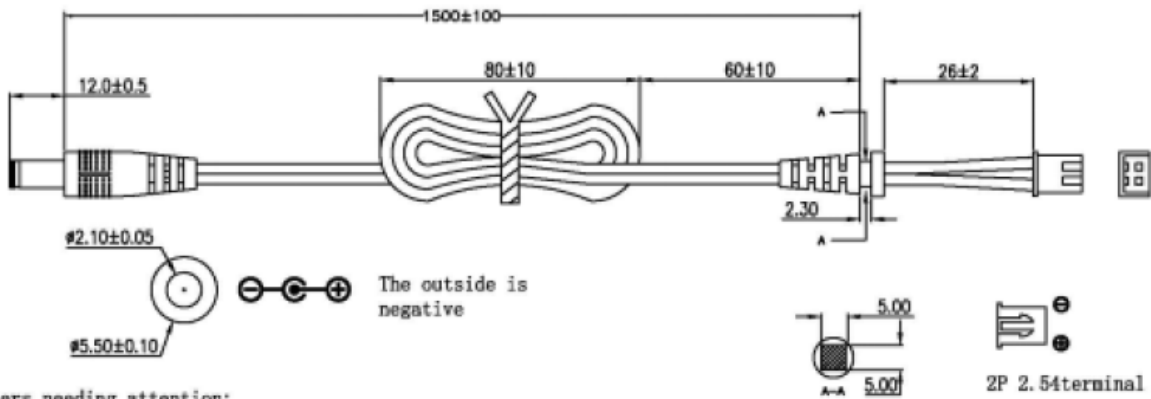


wire specification:

- 1, UL 2468 24AWG flatwire printed black nords outside. (lettering)
- 2, Polarity: Stripe link anode, Lettering link cathode.

DC plug&SR Tensile Strength: Attach a 5Kg weight to the Cable,  
Strain relief Bending Test: Apply a 200g to the Cable, Swing the 200° , 45 cycle/min, 2000 cycles.

finished wire:



Matters needing attention:

- 1, DC PLUG:  $\phi 2.1 * \phi 5.5 * 12.0$  Fork hook (Black rubber core)
- 2, SR SIZE:  $5.0 * 5.0 * 2.3$

**Label**

